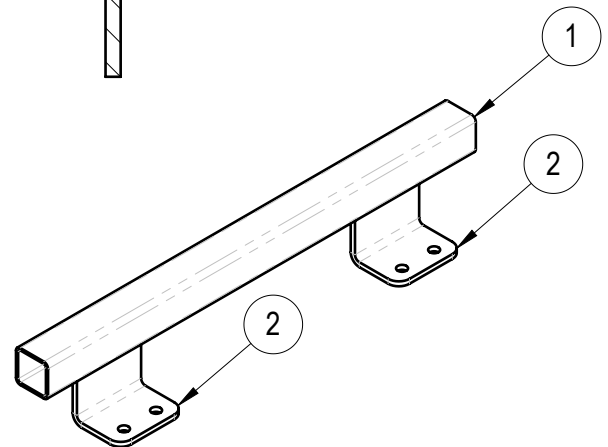
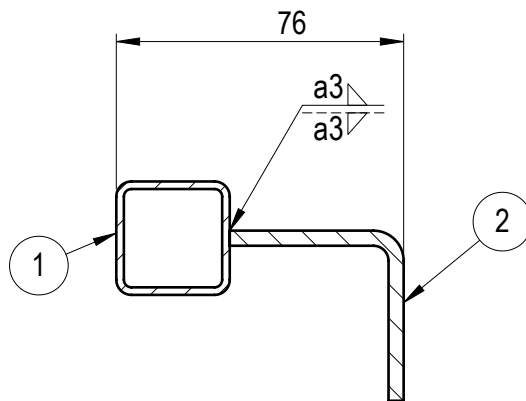


A-A  
SCALE: 1 : 2



NO.	PART NO	DESCRIPTION	MATERIAL	PROCESSING	REVISION	WEIGHT	QTY	
1	105-30712-01	SHS tube 2	S355JR	CND		0.67	1	
2	105-30712-02	Bracket 2	S355JR	LCB		0.15	2	
		MATERIAL	WEIGHT	DEBURR AND BREAK SHARP EDGES DO NOT SCALE DRAWING		REVISION	DATE	
		-	0.974 Kg				07.07.2025	
		SURFACE PROTECTION	MACHINING	THERMAL CUTTING	WELDING	SCALE	FORMAT	
		HDG EN ISO 1461	ISO 2768 mK	ISO 9013 221	ISO 13920 BF	1:5	A4	
		NAME	SIGNATURE	PART NO.				
Designed by		E. Kriviss		105-30712-00				
Drawn by		E. Kriviss		DESCRIPTION			SHEET 1/1	
Technical ref.				Ladder handle weldment				